

CENTRE NUMBER:

EXAMINATION NUMBER:

ANSWER SHEET

QUESTION 3: SWITCHING CIRCUITS

3.3.3

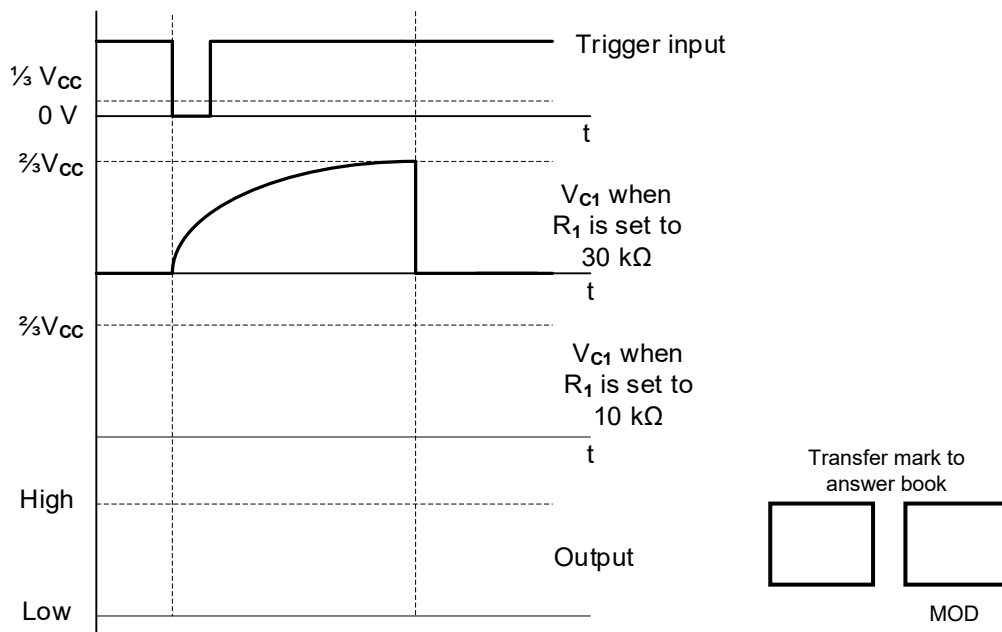
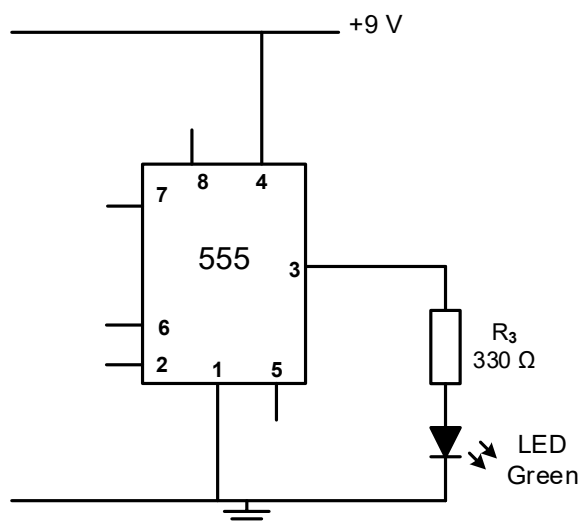


FIGURE 3.3.3

(5)

3.4

<p>Components:</p> <p>$R_1 = 1\text{ k}\Omega$</p> <p>$R_2 = 10\text{ k}\Omega$</p> <p>$C_1 = 1\text{ nF}$</p> <p>$C_2 = 100\text{ }\mu\text{F}$</p> <p>TABLE 3.4</p>



Transfer mark to answer book

MOD

FIGURE 3.4

(8)



CENTRE NUMBER:

--	--	--	--	--	--	--	--

EXAMINATION NUMBER:

--	--	--	--	--	--	--	--	--	--	--	--	--	--	--

ANSWER SHEET

3.5.2

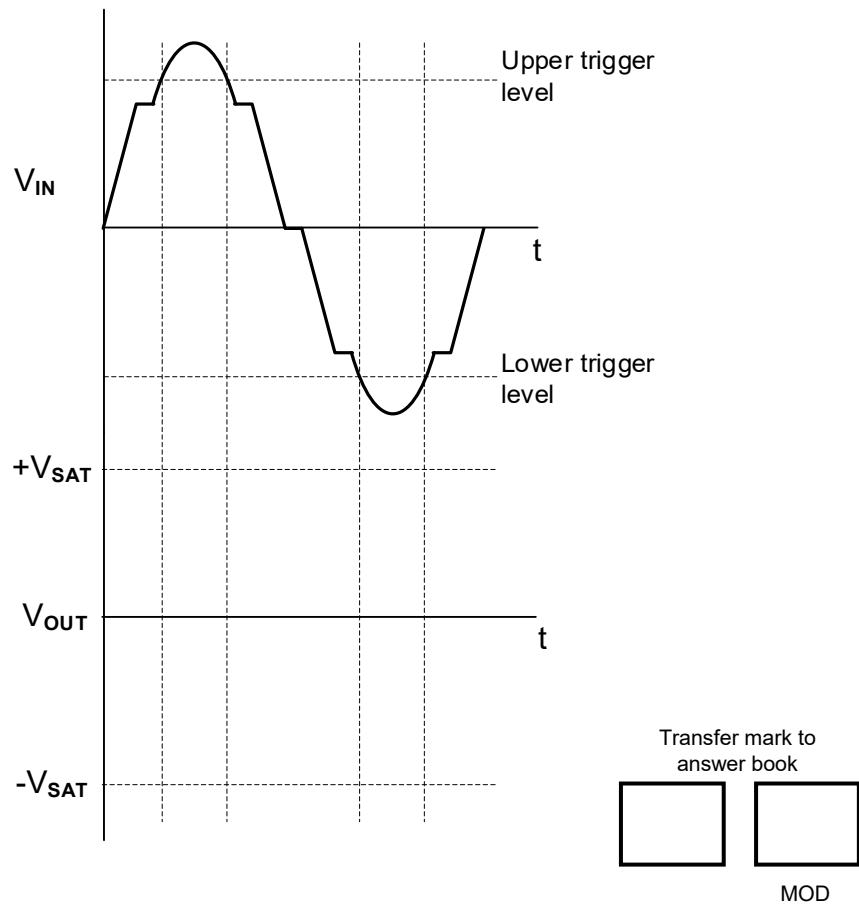


FIGURE 3.5.2

(4)



CENTRE NUMBER:

EXAMINATION NUMBER:

ANSWER SHEET

QUESTION 5: DIGITAL AND SEQUENTIAL DEVICES

5.3.2

INPUTS	OUTPUTS	
Pushbutton	A ₁	A ₀
X		
Y		
Z		

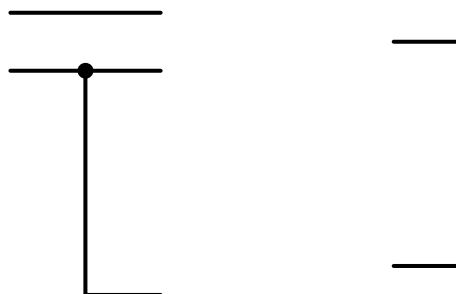
Transfer mark to answer book

MOD

TABLE 5.3.2

(4)

5.4.1



Transfer mark to answer book

MOD

FIGURE 5.4.1

(6)



CENTRE NUMBER:

EXAMINATION NUMBER:

ANSWER SHEET

5.4.2

INPUTS		OUTPUTS	
A	B	Σ	C_0
0	0		0
0	1	1	
1	0	1	
1	1	0	

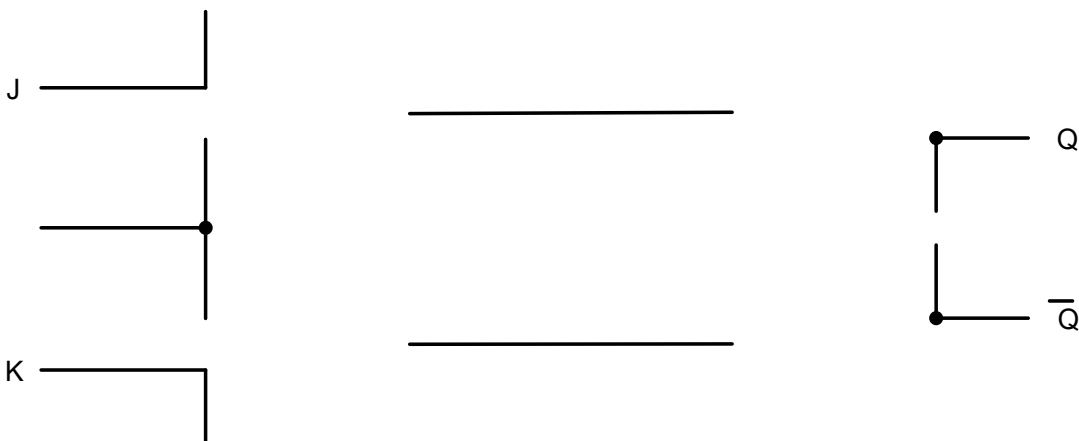
Transfer mark to answer book

MOD

TABLE 5.4.2

(4)

5.5.1



Transfer mark to answer book

MOD

FIGURE 5.5.1

(6)

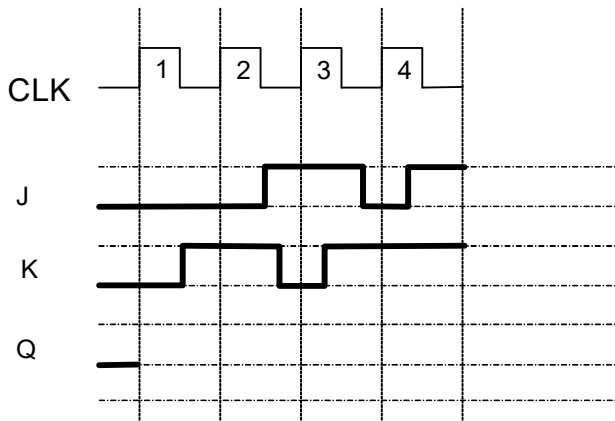


CENTRE NUMBER:

EXAMINATION NUMBER:

ANSWER SHEET

5.5.2



Transfer mark to answer book

MOD

FIGURE 5.5.2

(4)

5.8.3

CLOCK PULSES	BINARY COUNT SEQUENCE		
	C	B	A
0	0	0	0
1	0	0	1
2	0	1	
3	0		1
4		0	0
5	1	0	
6	1	1	0
7	1	1	1
8	0	0	

Transfer mark to answer book

MOD

TABLE 5.8.3

(5)



CENTRE NUMBER:

EXAMINATION NUMBER:

ANSWER SHEET

QUESTION 6: MICROCONTROLLERS

6.6.2

CHARACTERISTICS	RS-232	RS-485
Mode of operation		Simplex OR Half duplex OR Full duplex
Line configuration	Single-ended	

Transfer mark to
answer book

MOD

TABLE 6.6.2

(2)



